

This document courtesy of:



[Data Weighing Systems, Inc.](#)

---

[Contact Us](#)

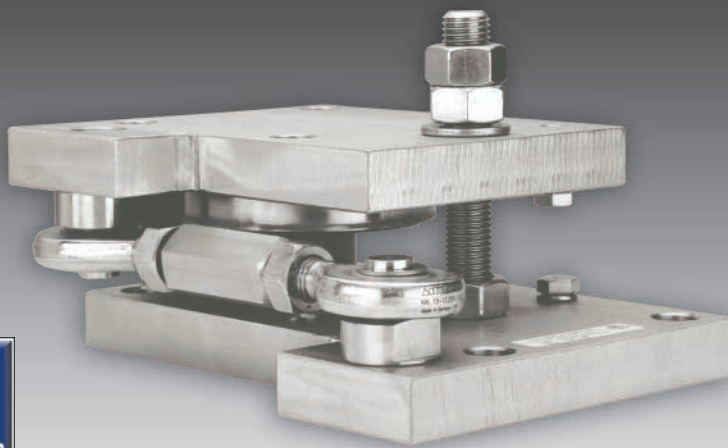
For immediate assistance call  
1-800-750-6842



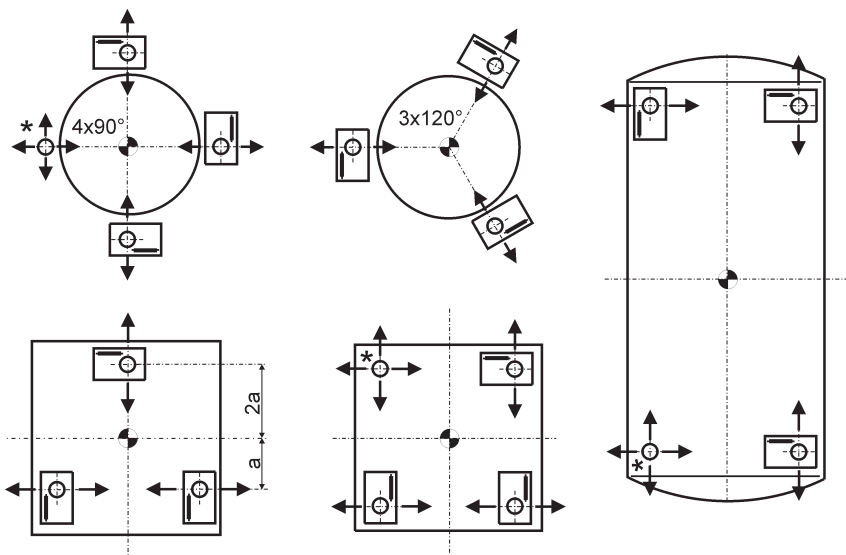
sartorius

PR 6011

Mounting kits for load cell PR 6211



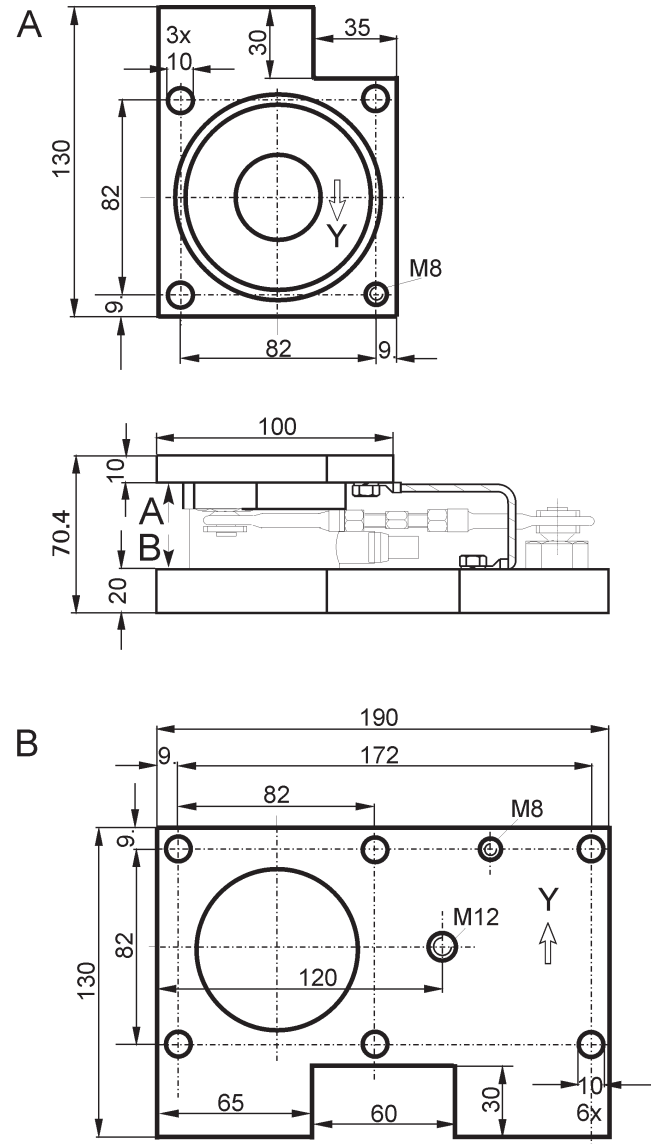
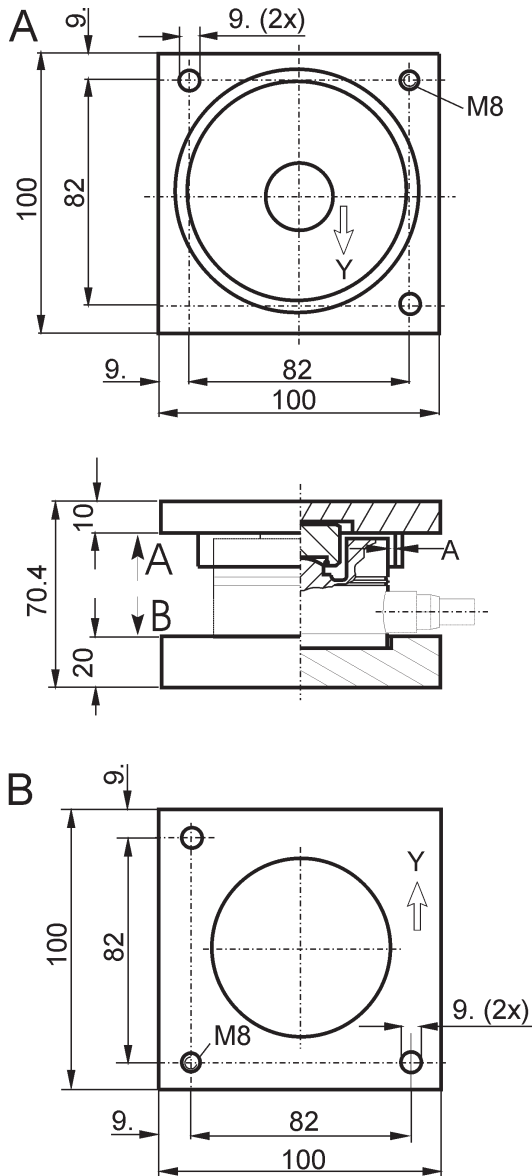
- Simple and fast installation
- Proven mounting kits for vessels
- Best weighing performance since mounting kits and load cells form a complete weighing unit
- Prepared for the installation of a lift-off-protection
- Full stainless steel version available
- Completely maintenance free, incl. constrainer
- Compact design



# Mounting plate kit and MiniFLEXLOCK for PR 6211 (500kg... 10t)

PR 6011/10 N&S

MiniFLEXLOCK PR 6011/30 N&S



## PR 6011/10

### Technical data

Mounting with bolts M10

### Version

- mild steel, zinc plated, yellow chromated
- stainless steel 1.4301 acc. to DIN 17440

### Order information

## MiniFLEXLOCK PR 6011/30

### Technical data

Mounting with bolts M8

Max. continuous horizontal force for the constrainer 5kN

Destructive force of the constrainer > 10kN

### Version

- mild steel, zinc plated, yellow chromated
- stainless steel 1.4301 acc. to DIN 17440 (all parts including the swivel bearings are made from stainless steel)

### Accessories

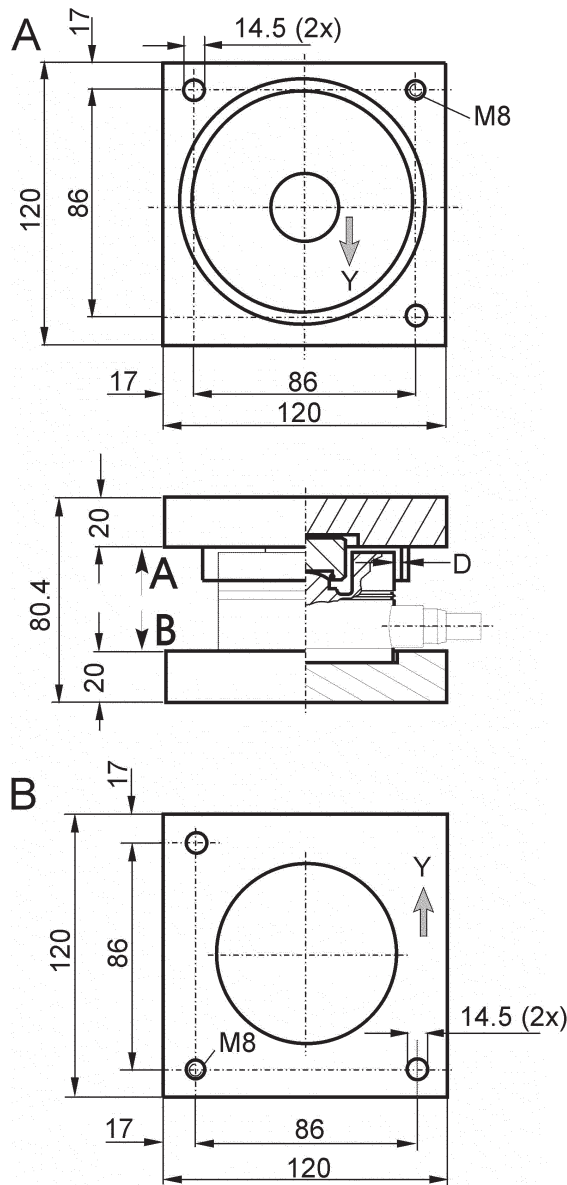
(supplied with the mounting kits)

- Bolts and washer to fix the earthing cable
- Instruction manual
- Drilling template

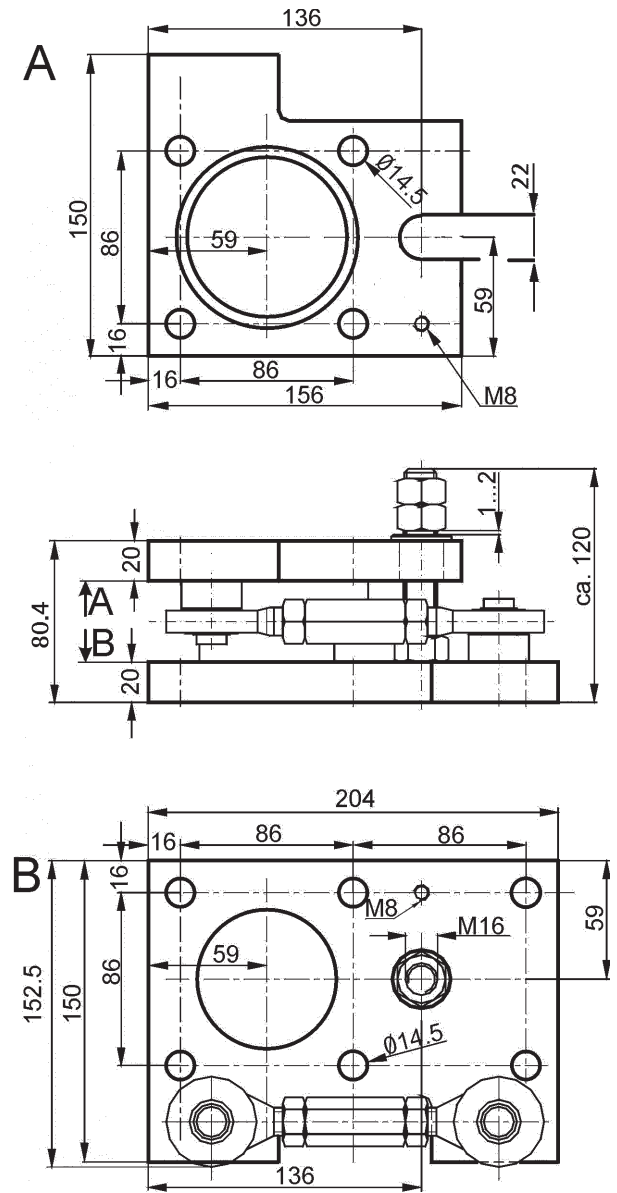
Type	Description	Packing	Weight gross/net	Order number
PR6011/10N	Mounting plate kit	27 x 16 x 3cm	2.4kg/2.3kg	9405 360 11101
PR6011/10S	Mounting plate kit, stainless steel	27 x 16 x 3cm	2.4kg/2.3kg	9405 360 11102
PR6011/30N	MiniFLEXLOCK, 5kN	22 x 16 x 12cm	5.5kg/5.1kg	9405 360 11301
PR6011/30S	MiniFLEXLOCK, 5kN, stainless steel	22 x 16 x 12cm	5.5kg/5.1kg	9405 360 11302

# Mounting plate kit and SeismoFLEX for PR 6211 (500kg... 10t)

PR 6011/11 N&S



MiniFLEXLOCK PR 6011/40 N&S



## PR 6011/11

### Technical data

Mounting with bolts M12

### Version

- Mild steel, zinc plated, yellow chromated
- stainless steel 1.4301 acc. to DIN 17440

### Order information

## MiniFLEXLOCK PR 6011/40

### Technical data

Mounting with bolts M12

Max. continuous horizontal force for the constrainer 20kN

Destructive force of the constrainer > 50kN

### Version

- Mild steel, zinc plated, yellow chromated
- stainless steel 1.4301 acc. to DIN 17440 (all elements including the swivel bearings are made from stainless steel)

### Accessories

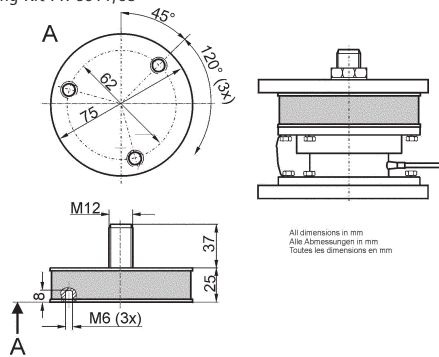
(supplied with the mounting kits)

- Bolts and washer to fix the earthing cable
- Instruction manual
- Drilling template

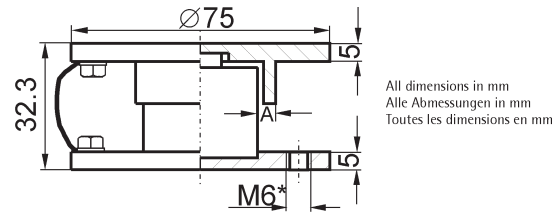
Type	Description	Packing	Weight gross/net	Order number
PR6011/11N	Mounting plate kit	18 x 15 x 18cm	6.9kg/6.5kg	9405 360 11111
PR6011/11S	Mounting plate kit, stainless steel	18 x 15 x 18cm	6.9kg/6.5kg	9405 360 11112
PR6011/40N	MiniFLEXLOCK, 20kN	24 x 19 x 18cm	8.58kg/8.13kg	9405 360 11401
PR6011/40S	MiniFLEXLOCK, 20kN, stainless steel	30 x 16 x 17cm	8.40kg/8.15kg	9405 360 11402

## Mounting kits for PR 6211 (30kg... 300kg)

### Rubber Mounting Kit PR 6011/03

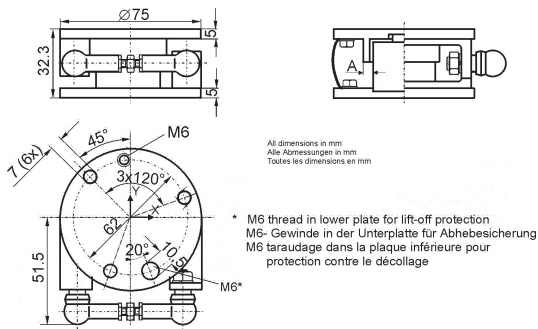


### Mounting Plate Kit PR 6011/00



\*\* M6 thread in lower plate for lift-off protection  
M6- Gewinde in der Unterplatte für Abhebesicherung  
M6 taraudage dans la plaque inférieure pour protection contre le décollage

### PR 6011/20 N



\* M6 thread in lower plate for lift-off protection  
M6- Gewinde in der Unterplatte für Abhebesicherung  
M6 taraudage dans la plaque inférieure pour protection contre le décollage

### Rubber mounting kit PR 6011/03N

suitable for PR6211 with capacities from 30kg up to 300kg

**Max. vertical load**  
450kg

**Operating temperature**  
-45°C... +70°C (-49°F... +158°F)

### PR 6011/00

#### Technical data

Mounting with bolts M6

#### Version

- Mild steel, zinc plated, yellow chromated
- Stainless steel 1.4301 acc. to DIN 17440

### MiniFLEXLOCK PR 6011/20

#### Technical data

Mounting with bolts M6

Max. continuous horizontal force of the constrainer 450N

#### Version

- Mild steel, zinc plated, yellow chromated
- Stainless steel 1.4301 acc. to DIN 17440 (all parts including the constrainer are made from stainless steel)

#### Accessories

(supplied with the mounting kits)

- Bolts and washer to fix the earthing cable
- Instruction manual
- Drilling template

### Order information

Type	Description	Packing	Weight gross/net	Order number
PR6011/00N	Mounting plate kit	22 x 15 x 4cm	0.5kg/0.4kg	9405 360 11001
PR6011/00S	Mounting plate kit, Stainless steel	22 x 15 x 4cm	0.5kg/0.4kg	9405 360 11002
PR6011/03N	Elastomerlager	-	0.34kg/0.3kg	9405 360 11031
PR6011/20N	MiniFLEXLOCK, 450N	22 x 15 x 4cm	0.6kg/0.5kg	9405 360 11201
PR6011/20S	MiniFLEXLOCK, Stainless steel, 450N	22 x 15 x 4cm	0.6kg/0.5 kg	9405 360 11202